

# ULTRASEAL SYSTEM BUILD-UP

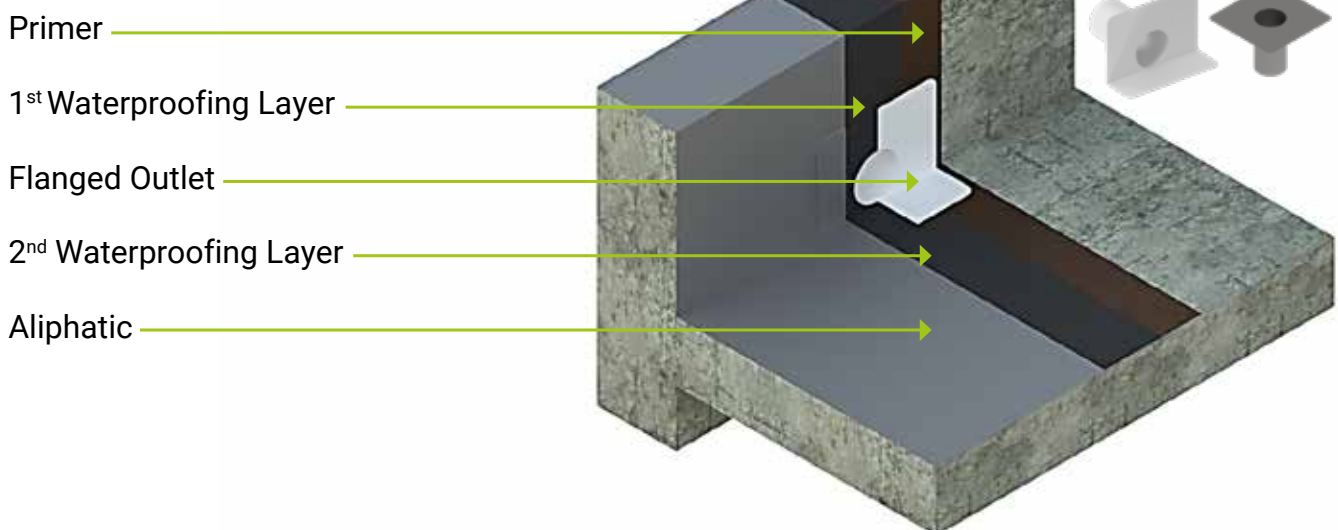


## DRAINAGE DETAIL

### PLUVIA DETAIL



### OUTLET DETAIL



Manufactured by NUI – Member of the RIGIFoam Group

[www.ultraseal.co.za](http://www.ultraseal.co.za)  
[www.rigifoam.co.za](http://www.rigifoam.co.za)  
+27 (0)11 421 0313



DISAVOWAL: The customer acknowledges and understands that after delivery, the goods will have left the control of Rigifoam (Pty) Ltd, and that the customer will be responsible for the unpacking of and connection/installation of the goods. The customer acknowledges that it is his/her further responsibility to ensure that a fully qualified and competent person is used to install the goods to ensure their effective operation. Failure by the customer to ensure the installation of the goods, according to the written instructions of the manufacturer and/or supplier, by a fully qualified and competent person, may result in the failure of the goods, injury, loss or damages to the customer. Accordingly, and in this event, Rigifoam (Pty) Ltd accepts no responsibility for any loss or damages that might arise by reason of death or personal injury to any person engaged in the installation or use of the goods thereafter, subject to the provisions of the Consumer Protection Act 68 of 2008.